

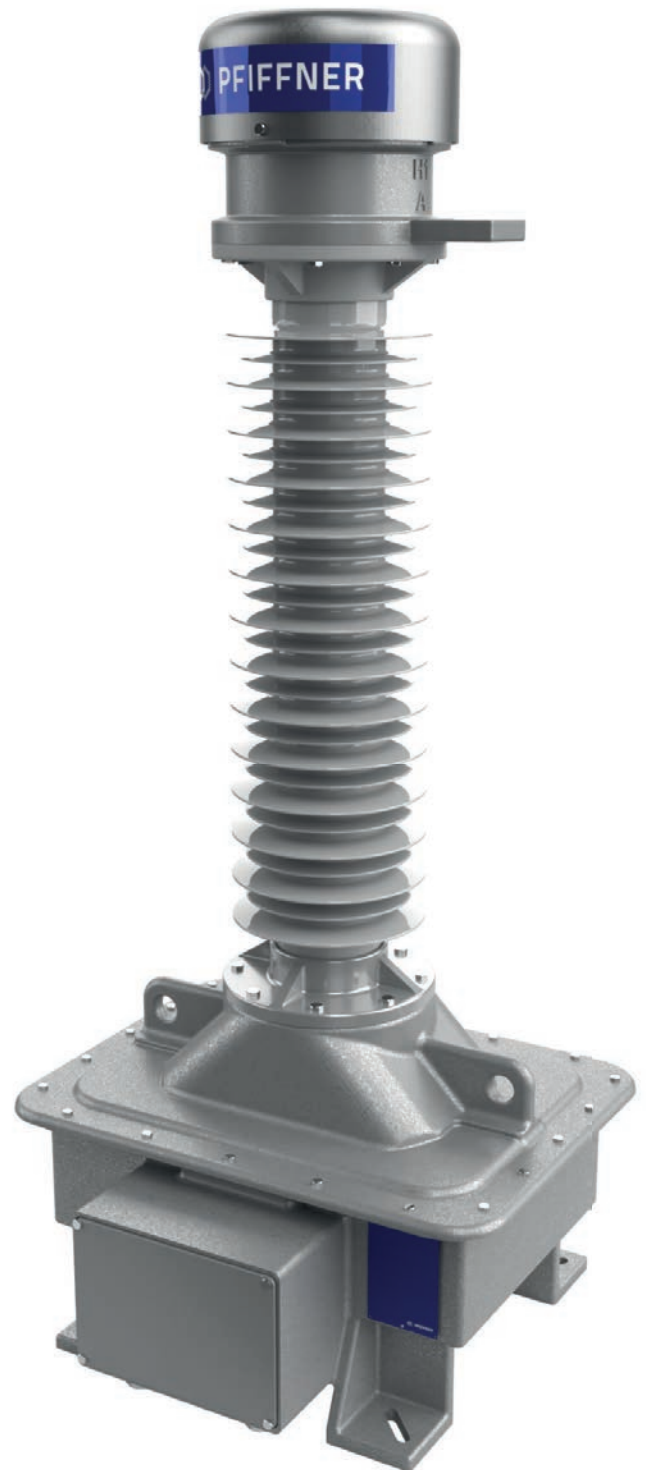


William Dale 303.478.9274
william.dale@energyreps.com
Manufacturer's Representative

Inductive voltage transformers

Outdoor operation
Oil-paper insulated

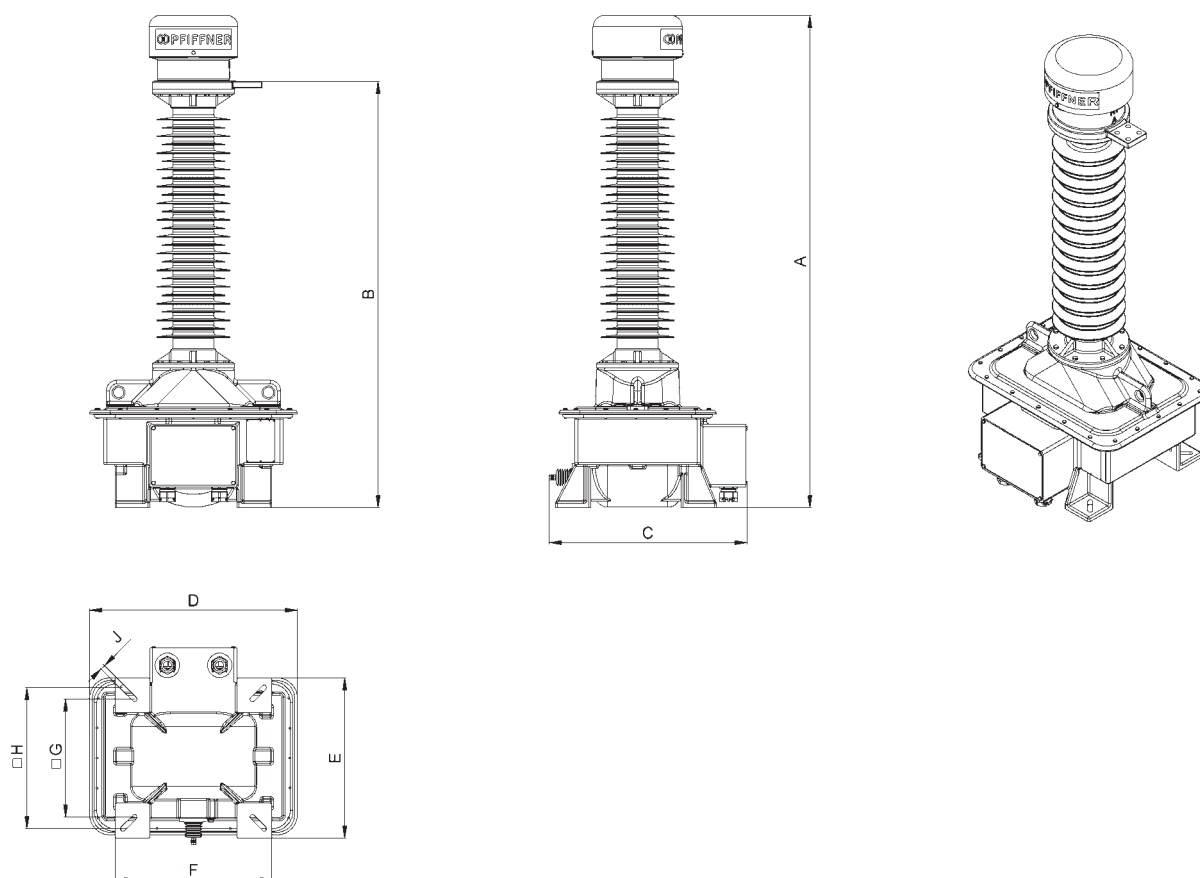
EOF (24–72) kV



PIFFNER

Current and voltage – our passion

Technical data



Type EOF		24	36	52	72
Standard		IEEE C57.13 / IEC 61869			
Highest voltage for equipment	kV	25.5 / 24	36.5 / 36	48.3 / 52	72.5
Rated power-frequency withstand voltage	kV	50	70	95	140
Rated lightning impulse withstand voltage	kV	150 / 125	200 / 170	250	350 / 325
Frequency	Hz	16.7 / 50 / 60			
Accuracy class		0.15 Z; 0.3 ZZ; 0.1-3; 3P; 6P			
Rated thermal limiting output	VA	3000			
Max. simultaneous burden (cl. 0.2)	VA	300			
Max. number windings		1-4			

Type EOF		24	36	52	72
Height of unit*	A mm	1112	1112	1412	1412
Height to primary terminal*	B mm	923	923	1223	1223
Depth of unit including terminal box	C mm	568	568	568	568
Width of tank	D mm	596	596	596	596
Depth of unit base	E mm	460	460	460	460
Width of unit base	F mm	450	450	450	450
Min. distance between screw holes at base	G mm	338	338	338	338
Max. distance between screw holes at base	H mm	405	405	405	405
Screw longhole size	J mm	14	14	14	14
Min. creepage distance*	mm	745	1117	1613	2248
Approximate weight*	kg	190	190	200	200

* with standard composite silicone insulator, creepage distance 31 mm/kV (SCD)

Global presence

PIFFNER Instrument Transformers Ltd

5042 Hirschthal
Switzerland

☎ +41 (0)62 7392828
✉ sales@pmw.ch
🌐 www.pfiffner-group.com/pch

PIFFNER Systems Ltd

4303 Kaiseraugst
Switzerland

☎ +41 (0)61 4676111
✉ info@pfiffner-systems.com
🌐 www.pfiffner-systems.com

PIFFNER Deutschland GmbH

25524 Itzehoe
Germany

☎ +49 (0)48 21408270
✉ sales@pfiffner-messwandler.de
🌐 www.pfiffner-group.com/pde

PIFFNER Transformatör A.S.

06750 Akyurt/Ankara
Turkey

☎ +90 (0)31 28475521
✉ info@pfiffner.com.tr
🌐 www.pfiffner-group.com/ptr

PIFFNER do Brasil Ltda

88307-740 Itajaí
Brazil

☎ +55 (0)47 33481700
✉ pfiffner@pfiffner.com.br
🌐 www.pfiffner-group.com/pbr

PIFFNER Instr. Transf. private Ltd

178/2 Village Sarul, Nashik
India

☎ +91 62 9823010690
✉ info@pfiffner.in
🌐 www.pfiffner-group.com/in

MGC Moser-Glaser Ltd

4303 Kaiseraugst
Switzerland

☎ +41 (0)61 4676111
✉ info@mgc.ch
🌐 www.mgc.ch

ALPHA Elektrotechnik Ltd

2560 Nidau
Switzerland

☎ +41 (0)32 3328700
✉ mail@alpha-et.ch
🌐 www.alpha-et.ch

HAEFELY Ltd

4052 Basel
Switzerland

☎ +41 (0)61 373 41 11
✉ sales@haefely.com
🌐 www.haefely.com

This document has been drawn up with the utmost care. We cannot, however, guarantee that it is entirely complete, correct or up-to-date.
©Copyright PFIFFNER / Subject to change without notice 2021.07



PIFFNER

Current and voltage – our passion



HIGH VOLTAGE



MEDIUM VOLTAGE



LOW VOLTAGE