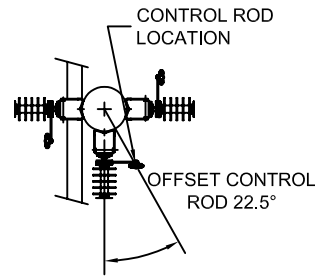


SWITCH RATINGS

VOLTAGE CLASS: 15.5kV
 B.I.L. RATING: 110kV
 CONTINUOUS CURRENT: 600A-RMS (ANSI C37.30)
 900A-RMS (IEEE 1247-1998)
 FAULT CLOSE: 16kA RMS-ASYMETRICAL, 2X
 MOMENTARY CURRENT: 40,000 AMP, 10 CYCLES
 25,000 AMP, 3 SECONDS
 AMPRUPTER INTERRUPTER RATINGS:
 LOADBREAK CURRENT: 900A-RMS
 PARALLEL BREAK CURRENT: 900A-RMS
 CABLE CHARGING: 20A-RMS

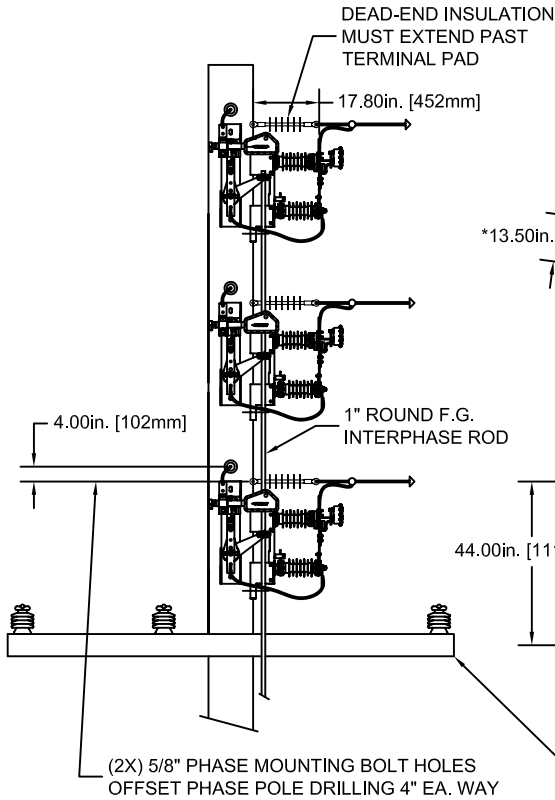
DRAWING NO.
9519-1

REV.
01

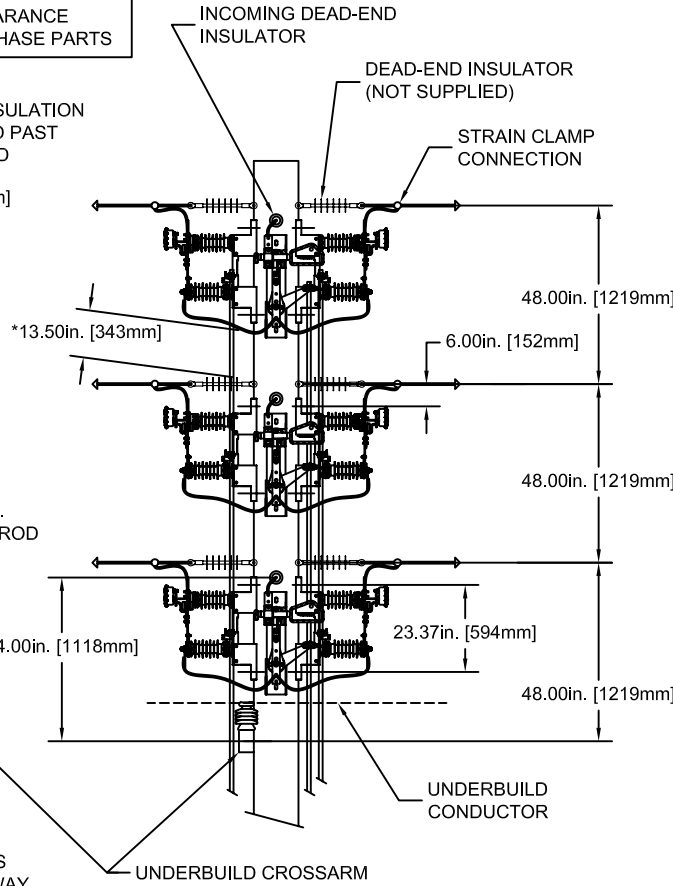


PLAN VIEW

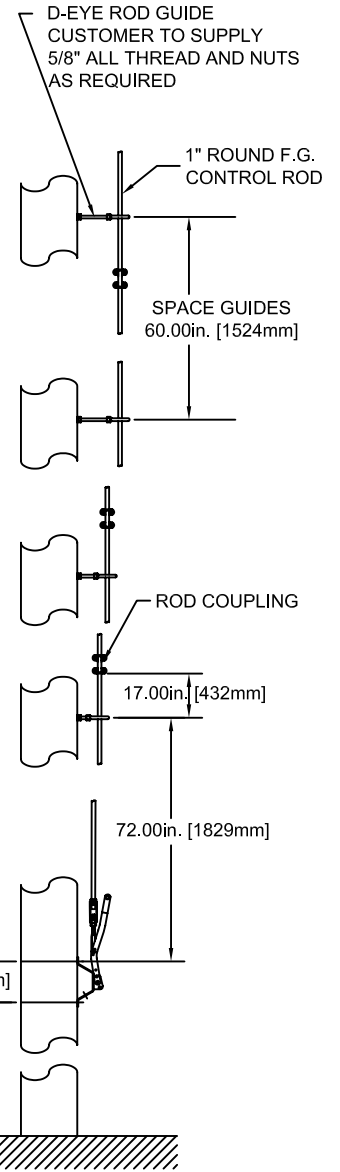
*CAUTION: 13.50in [343mm] MINIMUM CLEARANCE BETWEEN METAL TO METAL PHASE TO PHASE PARTS



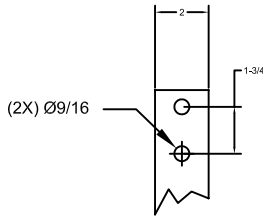
SWITCH DRILLING



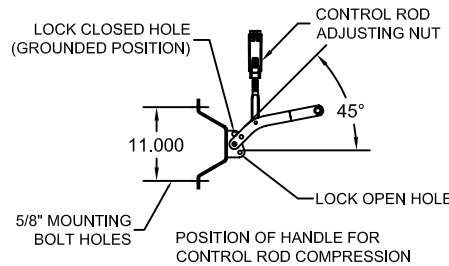
ONE WAY TAP SWITCH ASSEMBLY



TYPICAL CONTROL MECHANISM



DETAIL "A"
 600A/900A TERMINAL PAD



DETAIL "B"
 CONTROL HANDLE

				INERTIA ENGINEERING AND MACHINE WORKS	
				15 KV, 600 AMP, FIBERGLASS CONTROL RECIPROCATING CONTROL	
				DESCRIPTION 15 KV 3 WAY TAP SWITCH INSTALLATION	
				SCALE:	
				DRAWN BY: EG	
				DRAWING NO. 9519-1	
				REV. 01	
NO.	REVISION	DATE	BY	DISK/DIR.	DATE:
1	WAS PIPE IS FG CONTROL ROD	02/13/09	EG		02/12/09